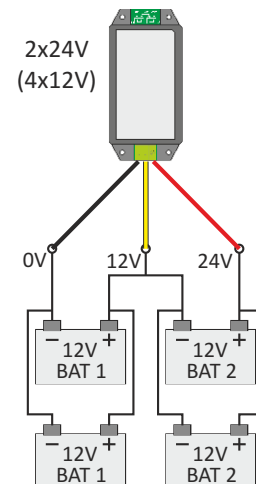
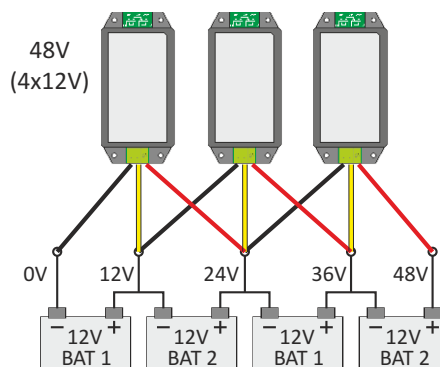
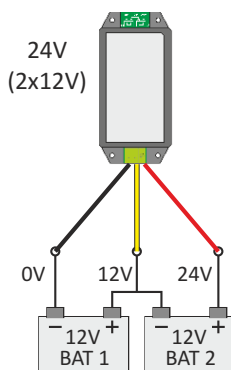


CODE: **AWZ643** v.1.0/I
NAME: **Battery balancer 24V**

EN



DESTINATION

AWZ643 24V balancer is designed for voltage equalisation in 12V batteries (AGM, SLA) connected in series or series-parallel. The basic working principle of the module is to transfer energy from battery with higher voltage to battery with lower voltage. Equalising the charge in the batteries is beneficial and protects against overcharging or undercharging, which leads to a reduced service life. Module has LEDs optical operation indication.

TECHNICAL DATA

Supply voltage	15 - 30 V DC
Battery capacity	2x 12 V / 17..240 Ah (AGM, SLA)
Balancing current	5 A max.
Balancing signal voltage	> 50 mV
Protection against deep discharge of battery	Disconnection below 10V, residual current < 1mA
Short-circuit and reverse polarity protection	PTC polymer fuse
LED operation indication	LEDs
Operating temperature	-10°C...+40°C
Storage temperature	-20°C...+60°C
Dimensions (LxWxH)	110 x 53 x 35 [+/- 2 mm]
Net/gross weight	0,10 / 0,13 [kg]
Enclosure	ABS, RAL9005, black
Pattery cables	40 cm, AWG 18, Ø8
Declarations, warranty	CE, 2 years